

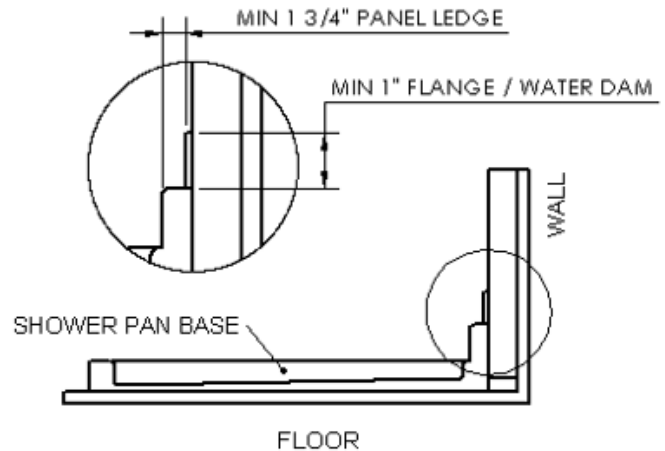
View our installation video at SynthesisbyPCS.com

COMPATIBLE SHOWER PANS

The Synthesis™ porcelain shower surround system is compatible with multiple types and styles of shower pans.

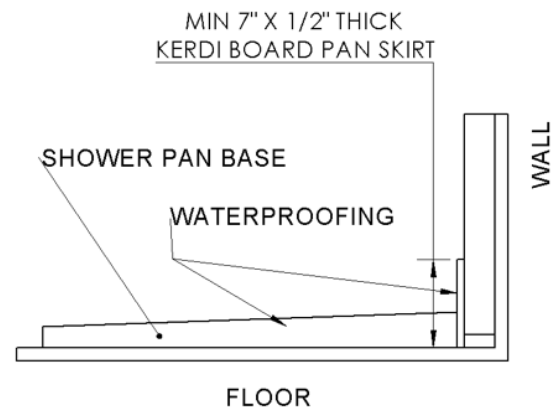
Modular one-piece shower pans may be manufactured from acrylic, fiberglass, cultured marble, solid surface or any other material.

- The modular shower pan must have a minimum 1" high flange/water dam and a minimum 1-3/4" wide panel ledge.
- Install your modular one-piece shower pan according to the manufacturer's instructions, being sure to make it level, then proceed with installation of your Synthesis™ porcelain shower surround system.



Tiled shower pans may be installed using a traditional mud pan method, a thin-mud-bed-and-membrane method, or a pre-sloped pan form such as those manufactured by Schluter, Noble, and others.

- No matter which method is used, the following requirements apply:
 - The pan must be installed and waterproofed according to the manufacturer's instructions.
 - The bottom of the walls must include a 7" high strip of 1/2" moisture-resistant backer board (included with the Synthesis™ kit).
 - The pan and the 7" high moisture-resistant strips must be waterproofed as part of the pan installation and as recommended by the manufacturer.
 - The edges of the pan should be as level as possible to avoid unsightly gaps at the bottom of the Synthesis™ panels.





VERTICAL INSTALLATION INSTRUCTIONS

View our installation video at SynthesisbyPCS.com

COMPATIBLE SHOWER PANS

Continued

Tile ready Fiberglass shower pans such as Tile Ready and KBRS can also be used with the Synthesis™ shower system.

- These shower pans will be installed using the same methodology as the modular one-piece shower pans.
- The pan skirt will be installed to the top of the water dam and flashed to the shower pan.
- We recommend tiling your shower base BEFORE the Synthesis™ panels are installed to allow for the removal of the panel after installed